



Wired

data sheet

# WSRDMX

WIRED DMX INTERFACE



## WHAT IS IT?

A 15 channel DMX controller for use with the Rako Rakom wired network. Can be used to control DMX light fittings or interfaces such as colour changing LED drivers and fibre optic projectors.

Wired 15 channel DMX controller for DMX controlled LED and other DMX light fixtures.



## DMX CONTROL

Designed to be connected to the Rako Rakom wired network via an RJ11 socket or punch-down Krone connector and control up to 15 channels of DMX512 compatible controllers or light fittings. The WSRDMX is addressed as a normal dimmer channel and automatically assigns the subsequent channels for DMX use.

The module is fitted with an RJ11 socket and lead and is designed to plug into an RJ11 socket, such as a WPCOn or WPCOnC or be connected to the Rakom data network using the punch-down Krone connector.

DMX connections are available using either screw terminals or an RJ45 socket.



Wired  
data sheet  
**WSRDMX**

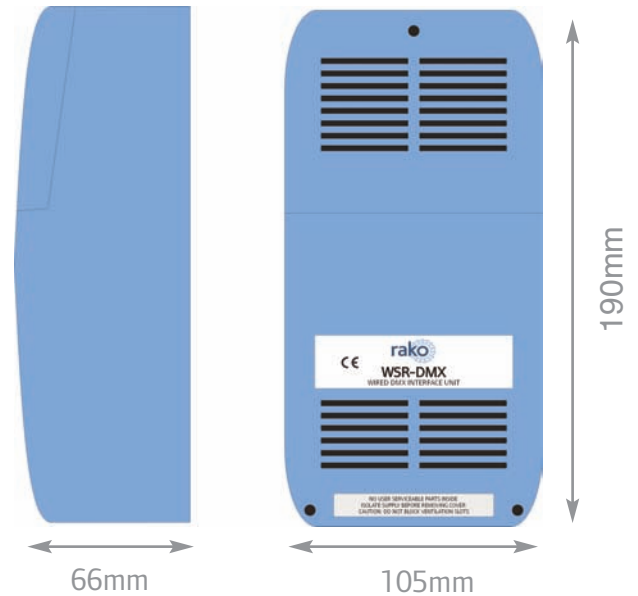
WIRED DMX INTERFACE



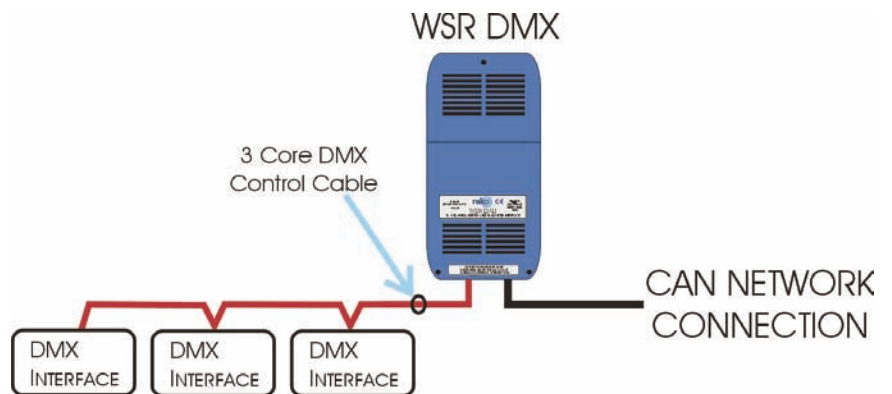
technical data

dimensions	190x105x66mm
housing	UL V0 ABS
weight	280g
climate range	Temperature +2C to +40C Humidity +5% - 90% non condensing
connections	RJ11 or Krone punch-down - Rako wired network 3 way screw terminal or RJ45 socket - DMX
load types	Any DMX512 compatible interface
maximum load	1.5 DMX channels
standards	Emissions - EN61000-6-3 : 2007 Immunity - EN61000-6-1 : 2007
memory	Flash memory (non volatile)

mechanical data



connection details



telephone +44 (0) 1634 226666 fax +44 (0) 1634 226667 [www.rakocontrols.com](http://www.rakocontrols.com)